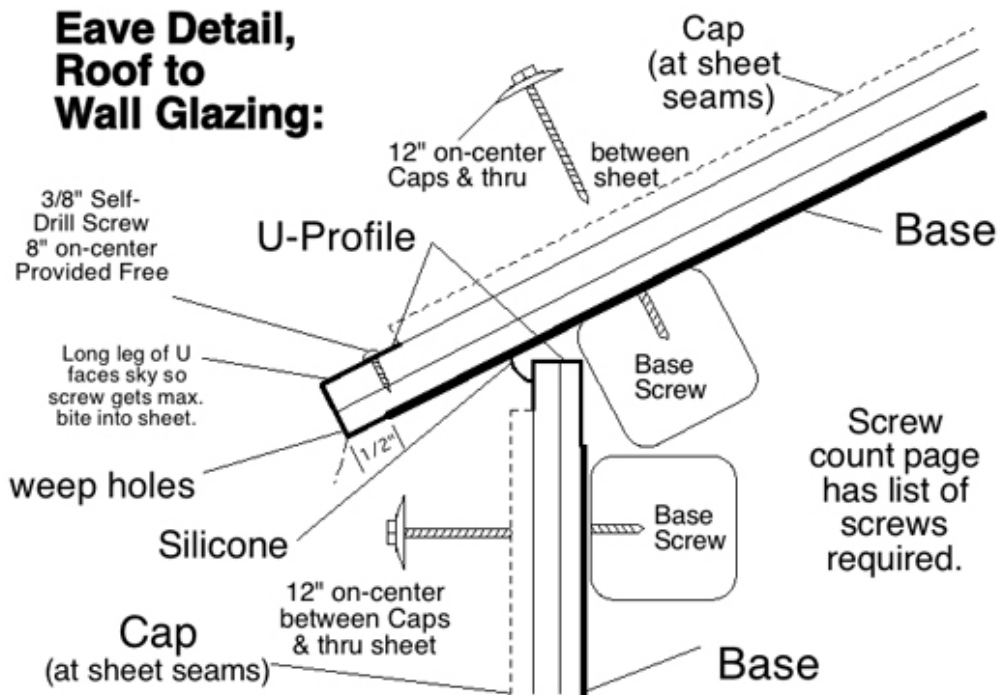


Vent Tape Not Required: U-Profiles shown below fit snug, not too tight. Proper install, with 3/8" self-drilling screws and weep holes, results in a maintenance free install. A slight crown in base of U-Profile creates a small trough for water to drain. Also, it is highly unlikely for a cut sheet to perfectly butt into the lower surface of the U-Profile, creating more space for water to drain. Leading edge of U-Profile, with 3/8" screws, virtually eliminates water entry. Add weep holes and a tricky problem is solved!

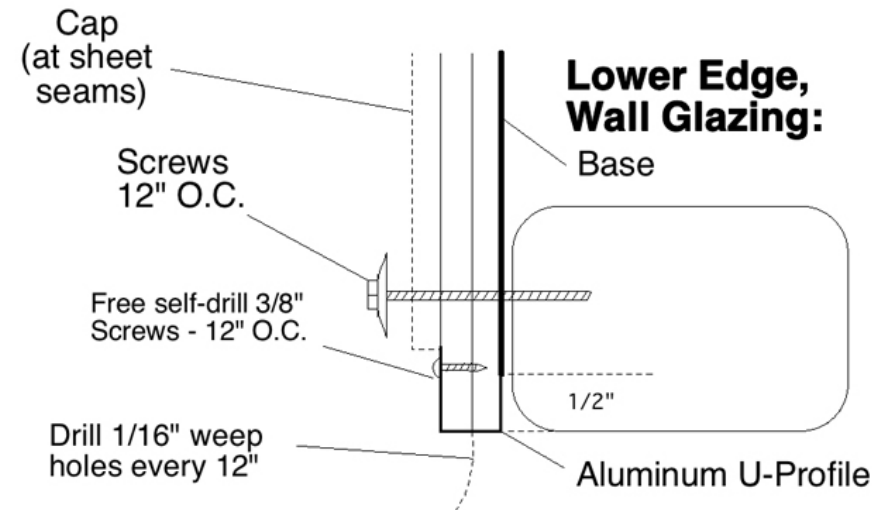
3/8" screws on the long leg of the U-Profile, in demanding lower edge applications, causes the polycarbonate to dimple slightly. This, and the beveled leading edge of the long leg of the U-Profile, eliminates entry of water (often laden with clogging dust and pollen).

Please note that this approach has been field tested for 10 years. Problems occur only when instructions are not followed.

Given that site cut sheets gather poly. dust in the channel, and that complete removal of the dust is unlikely, the dust will eventually migrate to the lower edge. Vent tape will effectively stop the drainage of this dust, bacteria may grow. In time the channels may clog, resulting in condensation backing up. **Please use drawings below as a general guide, adjust as required for your application.**



Hold back Base as shown above so leg of U-Profile will slip on sheet. Cap screws 1.5" from ends and every 12" on-center.



Lower Edge, Wall Glazing: Poly. Overlap Foundation

