

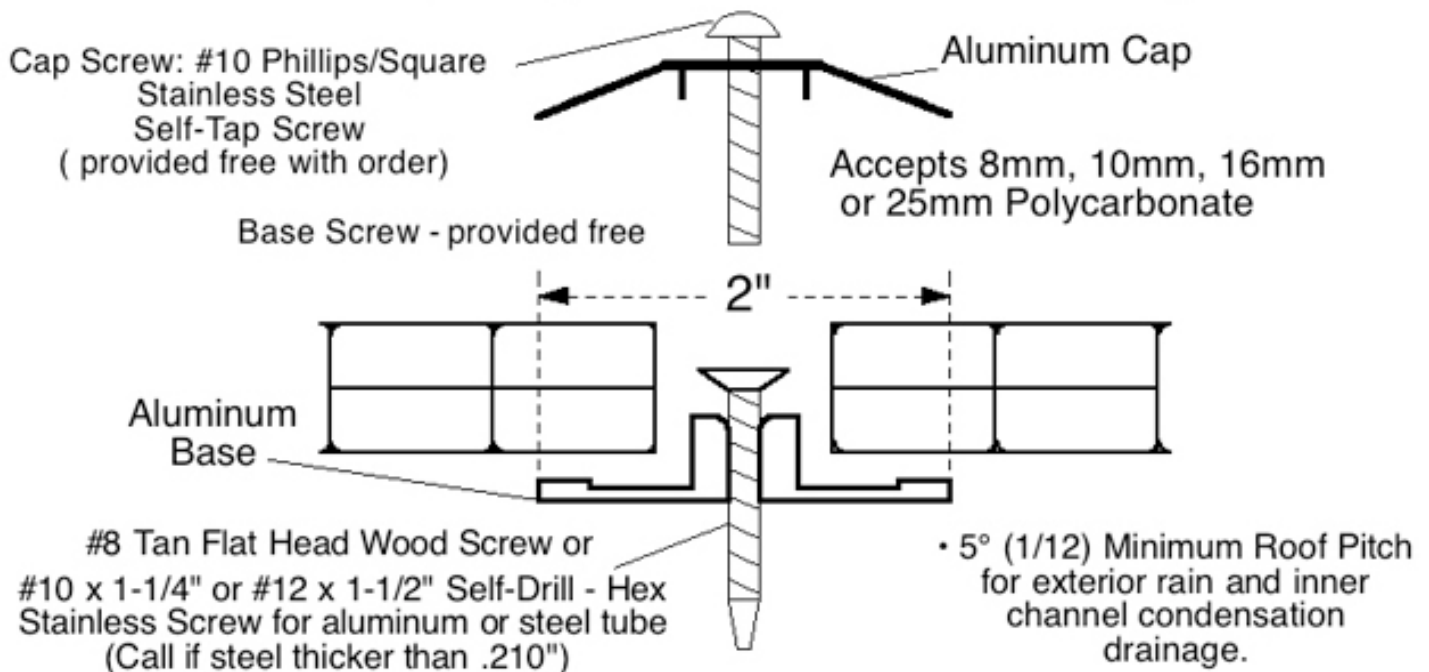
# Base & Cap System™ Product Information Sheet

Note: We do not sell framing or flashing, shop local.

Install 8, 10, 16 or 25mm polycarbonate on structures with horizontal purlins set above rafters & posts, arched roofs or metal building frames. Base attaches to roof purlins & wall girts. Base also may be attached to vertical rafters & posts, proper blocking required for Load Support.

- **Easy-To-Install.** Attach Base to purlins or rafters, lay on Polycarbonate & attach Cap.
- **Leak proof.** Aluminum Cap seals tight on polycarbonate.
- **Cap Screws set quickly.** Cap screws seal tight.
- **Strong.** Structure of aluminum Base profile will span over and attach to purlins or girts.

## Base & Cap - Exploded View: Sheet Joining



**Cap Screws** are self-tapping Stainless Steel, with finish to match Cap. In high wind areas screw spacing decreased to support load. See Structural Load in Framing & Install Guides, or Web Site.

**Base Screws for metal frames** are #410 Stainless Steel, self-drilling, with a type 3 point, capable of drilling into Steel or Aluminum with thickness of .110" (12 gauge) to .210" (5 ga.). Contact us if using on metal thicker than .210".

**Tan Base Screws for wood frames** are #8 carbon steel, corrosion coated and are resistant to the newer, and corrosive, ACQ pressure treated lumber.

**Aluminum Base & Cap Extrusions** are 6063-T5 alloy, the standard alloy for this type of application. Anodized is Clear Satin Commercial Grade.

**Base & Cap Minimum Bending Radius** is 8 ft. for 8 & 10mm polycarbonate , 9 ft. for 16mm poly.

**Polycarbonate** is Lexan or similar material as per customer requirements

